

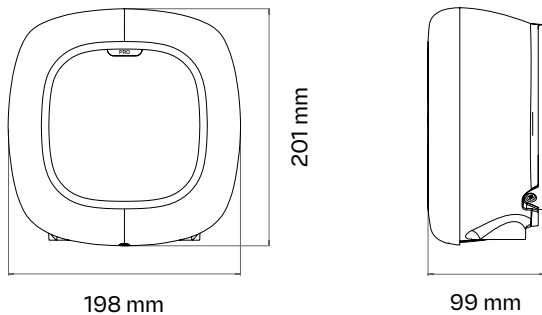
# Technical Datasheet

## General Specifications

Model	Pulsar Pro
Colour	Black/Grey
Cable Length	5 m/7 m
Charging Mode (IEC 61851-1)	Mode 3
Dimensions	198x201x99 mm
Weight	1.3kg (without cable)
Operating Temperature	-30°C to 50°C
Storage Temperature	-40°C to 70°C
Standards	CE, UKCA, EAC and RCM Mark. IEC 61851-1, IEC 61851-21-2, IEC 62196, BS 7671, IEC 60364. RED Directive 2014/53/ EU and RoHS Directive 2011/65/EU
Cybersecurity	Tamper detection, secure update, secure boot, secure storage & encrypted communications

Compliant with UK regulations on smart charging <sup>[1]</sup>

## Dimensions



<sup>[1]</sup> UK Only

<sup>[2]</sup> According to local regulation

<sup>[3]</sup> Require an additional meter

<sup>[4]</sup> 22kW charger limited to 11kW during installation

## Electrical Specifications

Charging Power	<b>7,4 kW</b>	<b>11 kW<sup>[4]</sup></b>	<b>22 kW</b>
Rated Voltage AC ± 10%	230 V	400 V	400 V
Rated Current	32 A (1P)	16 A (3P)	32 A (3P)
Connector Type (IEC 62196)	Type 2		
Cable Width	Up to 13 mm <sup>2</sup>		
Configurable Current	From 6 A to rated current		
Rated Frequency	50 Hz / 60 Hz		
Protection Rating	IP55 / IK10		
Surge Category	CAT III		
Residual Current Detection	DC 6 mA		
RCD	RCD Type A is required <sup>[2]</sup>		
Internal metering	Class A equivalent (Error ≤ 2%). Factory calibrated.		
Additional Protections	Optional external shunt (welding shut down)		

## Communications & User Interface

Connectivity	4G, Wi-Fi, Bluetooth
User Identification	myWallbox App & Portal, RFID
User Interface	myWallbox App & Portal
External communication interface	OCPP, partner API and SDK
Charger Status Information	Halo RGB LED, myWallbox App & Portal
Included Features	Schedules, Statistics, lock/unlock/autolock, charger remote control, User Management, Pay per month, Pay per charge, Power Sharing
Optional Features	Power Boost, Dynamic Power Sharing, Eco-Smart, External MID
HW ready features	NFC

## Part Number Structure

**C E**  
**A B D F**

**Wall Box Chargers S.L.U.** Made in Spain   
 Paseo Castellana, 95-PLT 28, 28046 Madrid, Spain 2023-06

**SN: 123456** **UID: ABCDEFGH**

PN: PPR1-X-X-X-XXX REV X Pulsar Pro  
 Input/Output: 230/400VAC, 50/60Hz, 32A, XP+N+PE  
 Outdoor use IP55, IK10  
 IEC 61439-7  
 -30°C to 50°C

	Code	Definition
<b>A</b> Model	PPR1	Pulsar Pro
<b>B</b> Cable	0	5m
	M	7m
<b>C</b> Connector	2	Type 2
<b>D</b> Power	2	7,4kW
	4	22kW
<b>E</b> Product Version	K	Residual Current Detection (DC 6mA) + 4G + RFID
	T	Residual Current Detection (DC 6mA) + Earthing protection + 4G + RFID
<b>F</b> Custom	XXX	Colours